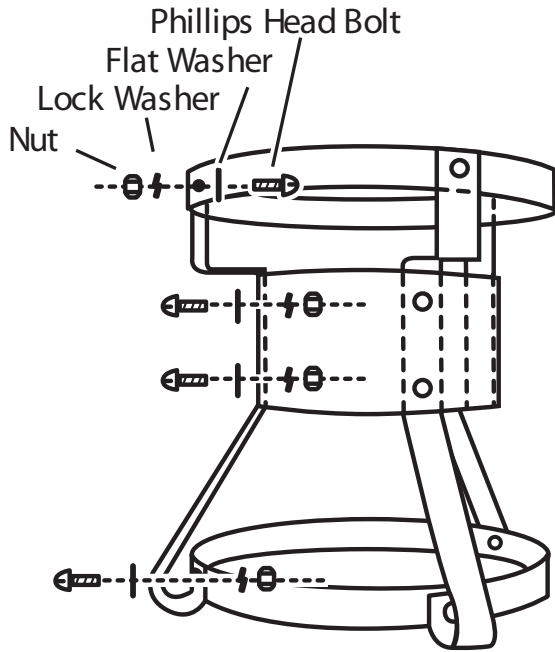




Read and Understand the Assembly Instructions and Use & Care manual which was included with this cooker package, as well as the Assembly Directions below. If you need a copy of the manual, please call 1-800-783-3885 for a replacement.

# ASSEMBLY INSTRUCTIONS

## For Bolt Together Cooker



### CONTENTS

- |                    |                         |
|--------------------|-------------------------|
| (2) Rings          | (1) Windshield          |
| (3) Legs           | (1) Spring              |
| (1) Shroud         | (12) Lock Washers       |
| (1) Casting        | (12) Flat Washers       |
| (1) Hose/Regulator | (12) Nuts               |
|                    | (12) Philips Head Bolts |

### TOOLS NEEDED

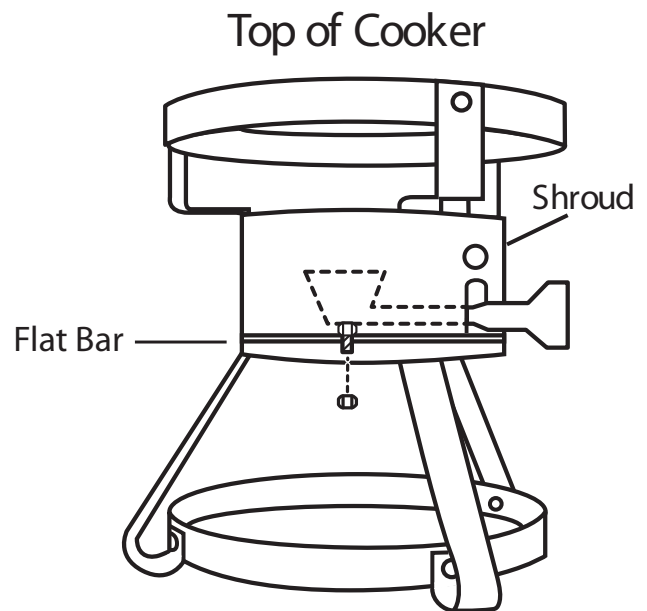
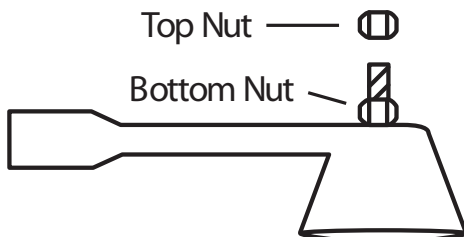
- Adjustable Wrench
- Screwdriver

- 1** Legs bolt to outside of ring (3 legs)
- 2** Legs bolt to inside of shroud (6 bolts, nuts, lock washers, flat washers)
- 3** Ring bolts to inside of leg

- 1) Assemble the bolts, washers, and nuts as per the diagram.
- 2) Wrench tighten. Make sure all 12 bolt sets are used, and that the unit stands sturdily.
- 3) Refer to Use & Care Manual for instructions, lighting, and use of your cooker.

### Installation of Casting:

- 1) Remove top nut from casting bolt. Leave bottom nut attached and tightened.
- 2) Flip cooker upside down. Insert casting with the bolt pointed up through the shroud opening.
- 3) Place the casting bolt through the hole on the flat bar.
- 4) Reinstall nut to casting bolt. Tighten.
- 5) Turn cooker right side up. Check to see if casting is pointing straight up and is sturdy.



Patented recessed top ring design.